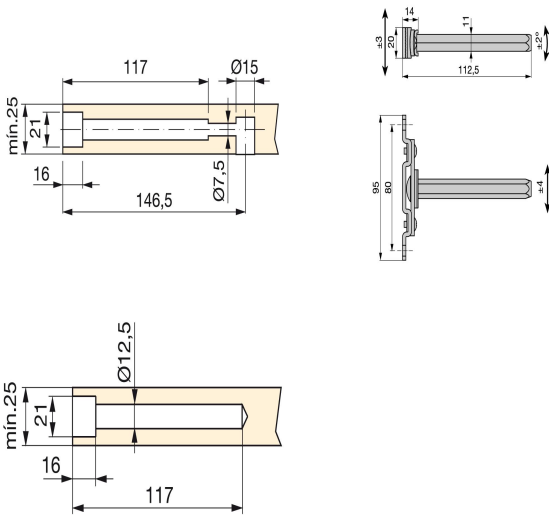


Phantom support Zinc plated

6912605



Product Information

SKU	6912605
Materials	Steel
Finishings	Zinc plated
Packaging	40 Ut.

- Regulation in three dimensions.
- Max weight for 2 supports 20Kg for 900x300 shelf 15Kg for 900x350 shelf.
- For shelves longer than 900mm use 3 supports.
- Max distance between supports 700mm.

Assembly with cam Ø15.

Documentation



Go to web product



Assembly
instructions (PDF)